

Service Trolleys

8 GN 1/1 Container Trolley with worktop

ITEM # _____

MODEL # _____

NAME # _____

SIS # _____

AIA # _____


361254 (CTR8IT)

8x1/1GN Container Trolley with Top

Short Form Specification

Item No. _____

Constructed in 304 AISI stainless steel. Framework in square 25x25mm tubing, completely welded. Fitted with worktop. The C-shaped "non-tip" runners, with upturn at each end, can accommodate GN containers 1/1, 1/2 and 1/3. N. 4 swivelling castors, two with brakes, 125 mm in diameter, fitted with plastic bumpers.

Main Features

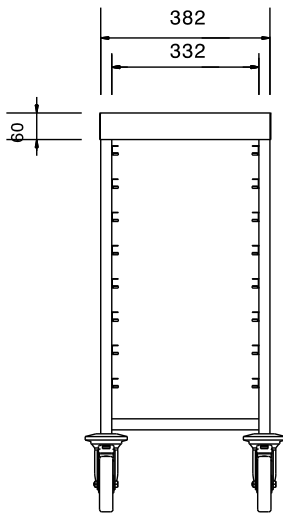
- Framework in square 25x25 mm tubing, completely welded.
- Equipped with C-shaped "non-tip" runners, with upturn at each end.
- Accommodates 1/1 GN containers.
- Fitted with worktop.
- 4 pivoting Ø 125 mm wheels, 2 of which with brakes, fitted with plastic bumpers

Construction

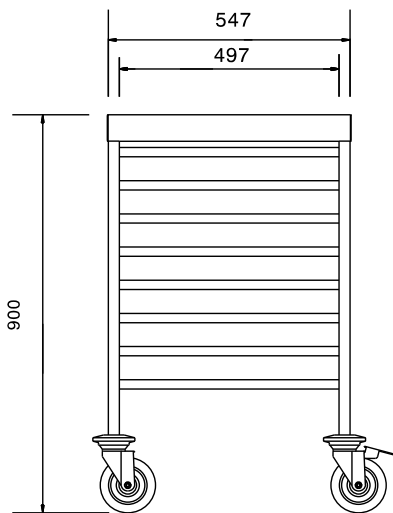
- Constructed entirely in 304 AISI stainless steel.

APPROVAL: _____

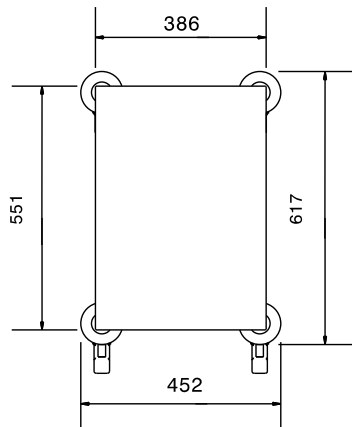
Front



Side



Top



Key Information:

External dimensions, Width:	
361254 (CTR8IT)	452 mm
External dimensions, Depth:	657 mm
External dimensions, Height:	900 mm
Wheel material:	Zinc plated
Wheel diameter:	Ø 125
Net weight:	13.6 kg